

DALI-MINI-JOLLY-LC

ITEM NO. DRIVER - 10628

Low Current DALI Dimmable power supply with Multi-Current output selection.

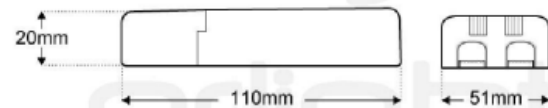
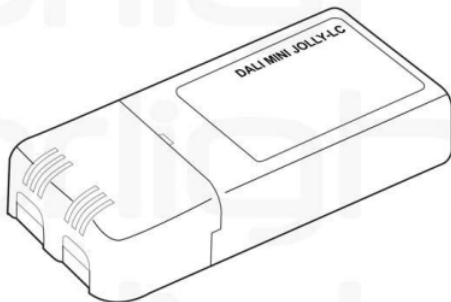
Integrated dip switch for output regulation. IP20 - Class II protection with Power Factor Correction.

- Input : 110-240V
- Output : 100-380mA

Protections:

- Thermal
- Short Circuit
- Mains Voltage Spikes
- Overload

Dimension



Technical Specification

Article	Code	P out W	V out DC	I out DC	n° LED max. ⁽¹⁾	V out max.	ta °C	tc °C	λ max. Power Factor	η max. Efficiency ⁽¹⁾
DALI MINIJOLLY LC	122395	Constant current output					-25...+50	75	0,95	>88
DALI MINIJOLLY LC BI	122396	5,4 (5,4 ⁽²⁾)	10...54	100 mA cost.	16...18	59				
		7,5 (7,5 ⁽²⁾)	10...54	140 mA cost.	16...18					
		10 (10 ⁽²⁾)	10...53	180 mA cost.	16...18					
		12 (12 ⁽²⁾)	10...53	220 mA cost.	16...18					
		14 (14 ⁽²⁾)	10...52	260 mA cost.	16...18					
		16 (15 ⁽²⁾)	10...52	300 mA cost.	15/16					
		18(15 ⁽²⁾)	10...51	340 mA cost.	15/16					
		20 (15 ⁽²⁾)	10...51	380 mA cost.	15/16					
		Constant voltage output								
9 (9 ⁽²⁾)	24 cost.	0,38 A max.	-	-						

Continue to page 2

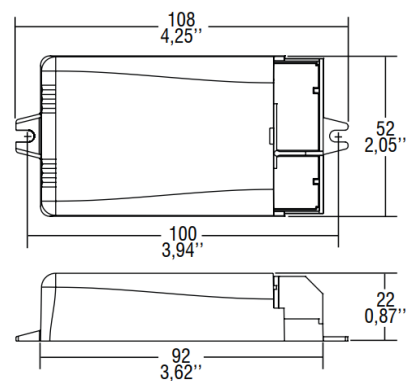
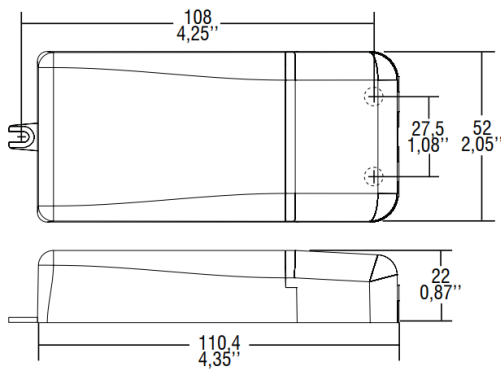
DALI-MINI-JOLLY-LC

Features

- Multipower driver supplied with dip-switch for the selection of the output current.
- IP20 independent driver, for indoor use (DALI MINIJOLLY LC).
- Class II protection against electric shock for direct or indirect contact (DALI MINIJOLLY LC).
- Driver for built-in use (DALI MINIJOLLY LC BI).
- It can be used for lighting equipment in protection class I and II (DALI MINIJOLLY LC BI).
- Active Power Factor Corrector.
- Current regulation $\pm 5\%$ including temperature variations.
- Input and output terminal blocks on the same side (wire cross-section up to 1,5 mm² / AWG15).
- Clamping screws on primary and secondary circuits for cables with diameter: min. 3 mm - max. 8 mm (DALI MINIJOLLY LC).
- Protections:
 - against overheating and short circuits;
 - against mains voltage spikes;
 - against overloads.
- Thermal protection = C.5.a.

- Rated Voltage
- 110 ÷ 127 V(2)
 - 220 ÷ 240 V
- Frequency
- 50...60 Hz
- AC Operation range
- 99 ÷ 264 V
- DC Operation range
- 176 ÷ 280 V
- Power
- 0 ÷ 20 W
- Maximum current
- $\leq 3\%(1)$

Mechanical Specification



Wiring Diagram

