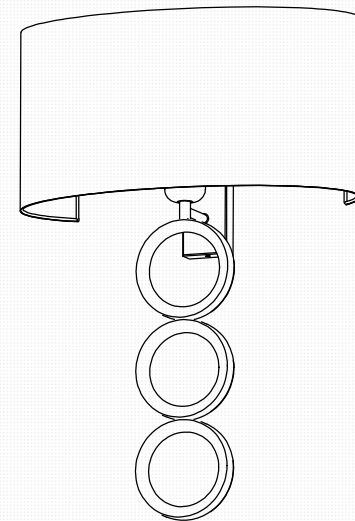


orlight[®]

FROM SOURCE TO SITE

Installation instructions
TRIMLESS ROUND DOWNLIGHT
ABELL



orlight[®]

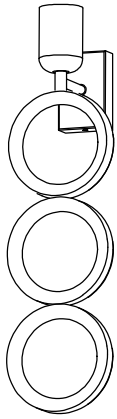
FROM SOURCE TO SITE

Victor Way | Radlett Road | Colney Street |
St. Albans | AL2 2FL

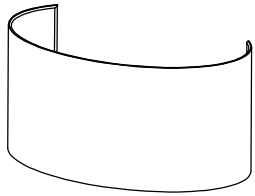
Web - www.orlight.com Tel - 01923 851 890 Email - info@orlight.com

www.orlight.com | 01923 851 890

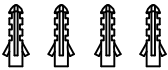
CONTENTS



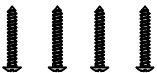
1 x main body



1 x Shade



4 x Raw plugs



4 x Wall Screws

BEFORE YOU START

It is extremely important that these instructions are read carefully and any illustrations studied before commencing installation. Please retain these instructions for future reference.

WARNING!

- Electricity can be dangerous.
- Do not attempt to fit installation unless you are competent.
- If in any doubt consult a qualified electrician to complete electrical installation.
- Installation to comply with current IEE wiring regulations
- The lighting is for use in a normal dry domestic indoor environment.
- If you find any damage to the electrical parts, please ask a qualified electrician to replace it.

Installation

- Take care when handling and installing to avoid damage to the product.
- Avoid mounting the fitting on a damp surface such as newly painted or plastered area as this may cause discoloration of the finish.

Tools

- Cross headed screwdriver.

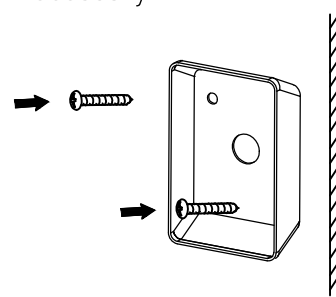
Cleaning Instructions and Care

- Take extra care when cleaning and assembling.
- Do not use any chemical or abrasive agents to clean the shade.

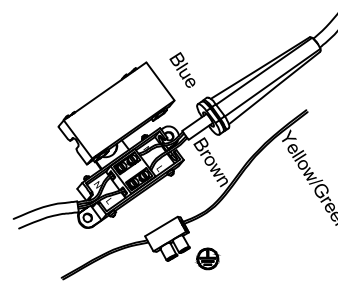
General Assembly

1. Make sure that the power source is still accessible. Drill the surface to fit the wall light, using the metal bracket to locate the holes position. Please ensure that no pipes or cables are within the drilling area.

2. Screw the metal bracket onto the wall using the self tapping screws and raw plugs if necessary.

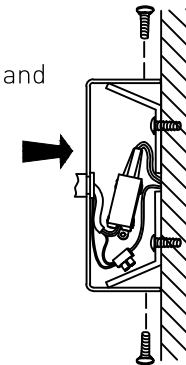


3. Using the connector block to connect to the mains power supply as shown below.

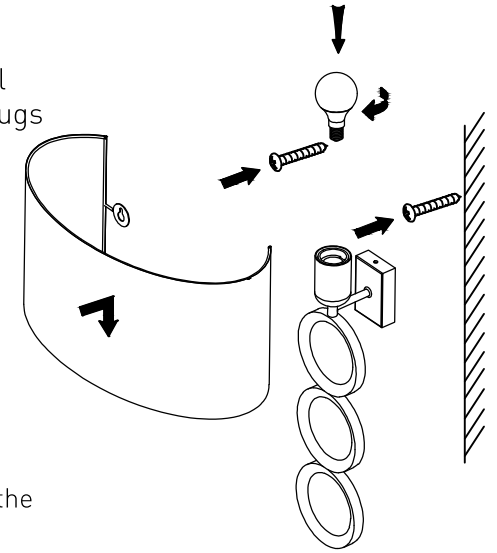


This product must be earthed

4. Fix the back plate on the wall to hide the cable, fixings and power connection.

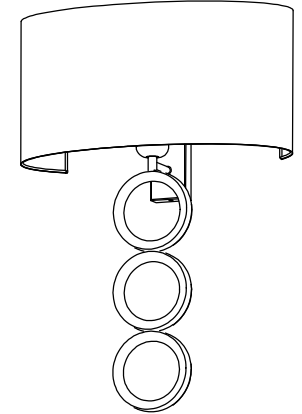


5. Remove the wrap from the shade. Install the shade with ring. Put the bulb into lampholder



Bulb Replacement

- 40w E27(screw type) golf bulb.
- Dispose of old bulbs with care.



Your light is now ready for use