

orlight®

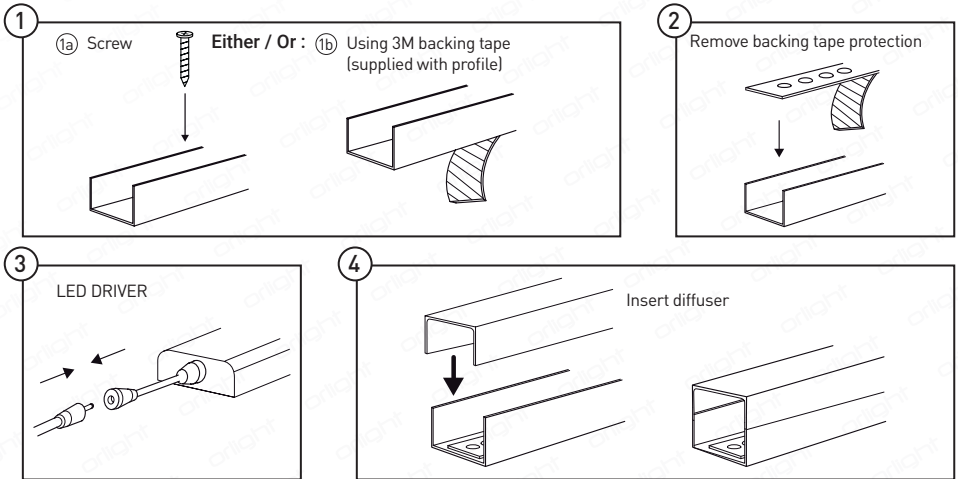
FROM SOURCE TO SITE

Installation instructions

ORLIGHT LED STRIP RANGE

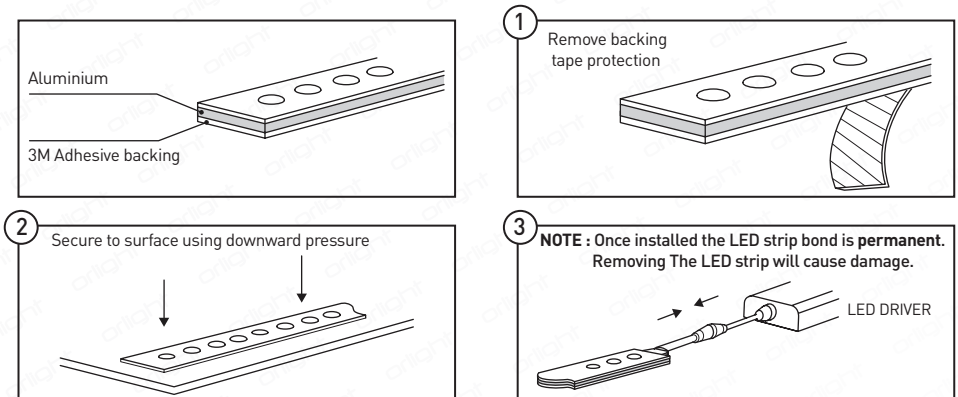
INSTALLING INTO A PROFILE

Orlight LED Strips are supplied cut to length with plug and play connectors
Please ensure installation surface is clear from dirt and debris.



INSTALLING WITH ALUMINIUM BACKING

Orlight recommends installing LED strip with aluminium backing.
Please ensure installation surface is clear from dirt and debris.



orlight®

FROM SOURCE TO SITE

This product must be installed by a skilled or instructed person in accordance with the current edition of the IET Wiring Regulations BS 7671 "Requirements for Electrical Installations" and the Buildings Regulations, as may be applicable subject to the location and country of the installation.

Should this product be modified, misused or not installed as per the instructions given, the product warranty shall be rendered void.

All information contained within these installation instructions manual is provided in good faith. Orlight shall not be held responsible for any losses incurred as a result of the Customer's failure to follow the instructions manual thoroughly and in its entirety or failing to inspect the product for missing parts and/or any defects prior to installation.

For full Terms and Conditions, please visit our website at:

<https://www.orlight.com/terms-and-conditions>

Wiring:

Disconnect the mains supply before installation. Ensure that the unit is installed and maintained by a certified professional and that installation conforms to any local building control standard applicable.

Accessories:

Please ensure that any accessory used in conjunction with these products is approved by Orlight. Failure to do so will void any product guarantee. Orlight will not be held responsible for any loss incurred be it direct or consequential.

NOTE – Light fittings in general can become hot whilst in operation. It is advisable that they do not come into contact with any flammable materials such as fabrics, furniture, soft furnishings or touched during/after operation.

NOTE – All linear LED strip should be inspected and tested within 48hours of receipt by customer. Once the adhesive liner is peeled off we will under **NO CIRCUMSTANCES** accept the product back for replacement.

We **CANNOT** guarantee colour from batch to batch.

Be careful not to overflex strip or soldered connection's cover by protective heatshrink.

NOT suitable for mounting on combustible surfaces, for best results mount on a metal surface.

ALL LED's require down time – **PRODUCT MUST NOT REMAIN IN CONSTANT USE.**

Lifetime is based on an average of 10 hours usage per day. Continual use without proper downtime may impact negatively on stated lifetimes.

Failure to adhere to these instructions shall void product warranty – for more details see our T&C's at <https://www.orlight.com/terms-and-conditions>