

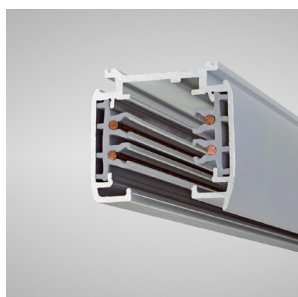
Instructions

Ensure that only an approved electrician installs the 3-circuit track. Disconnect the mains supply before installation and connecting the wires onto the track. This track is designed to be used with a voltage of 220-250Vac 50Hz. Install the track on a flat surface and ensure it is used only under dry conditions.



Switch off the mains before doing any installation work.

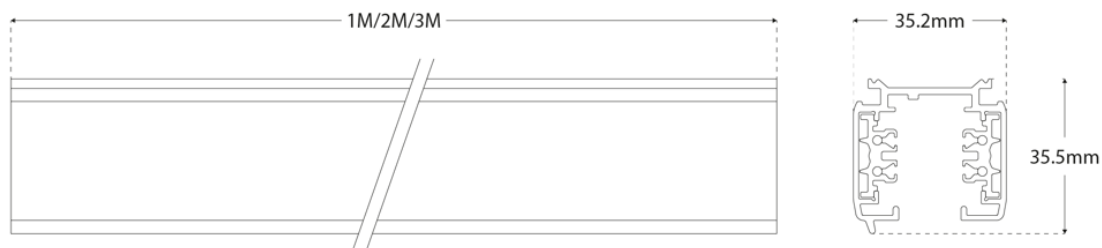
The track can be Cut to length by the installer **if required**.



3 Circuit DALI Track

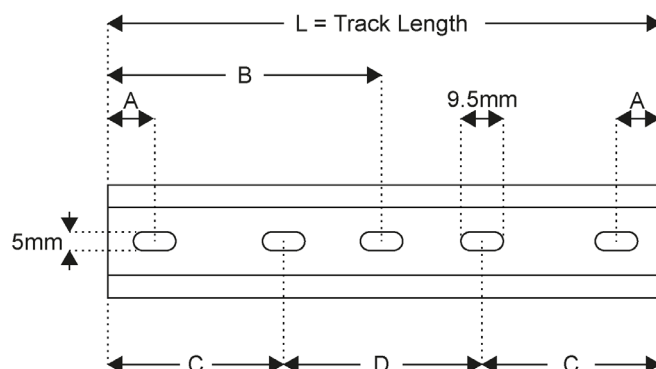


3 Circuit Track

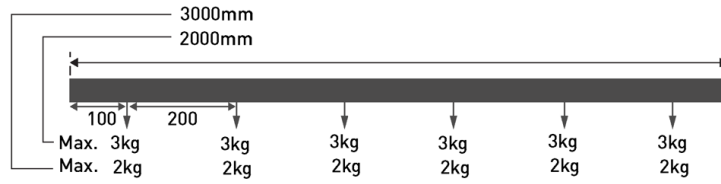


Fixing Holes

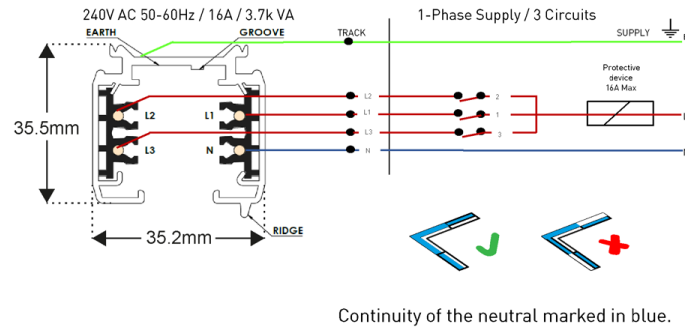
L (mm)	A (mm)	B (mm)	C (mm)	D (mm)
1000mm	125			
2000mm	125	998		
3000mm	125		914	1167



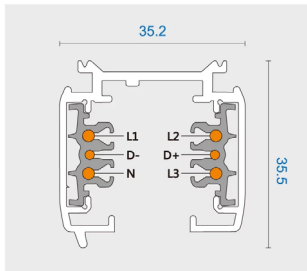
Weights Guide



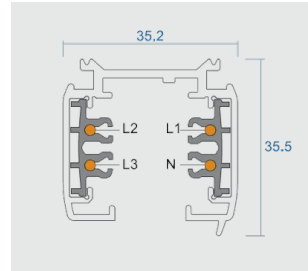
Electrical Connections



3 Circuit DALI Track



3 Circuit Track

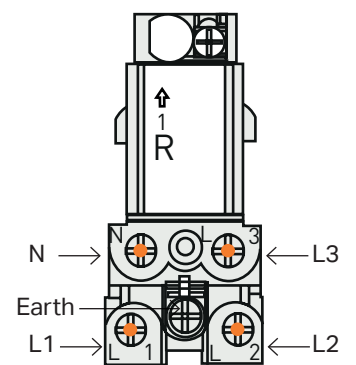
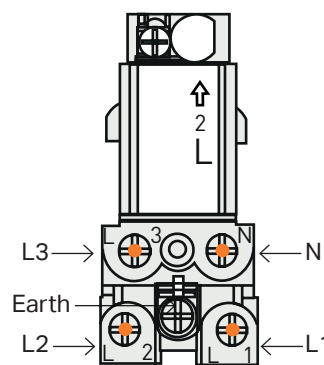
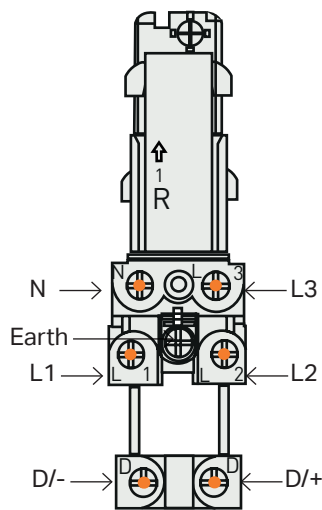
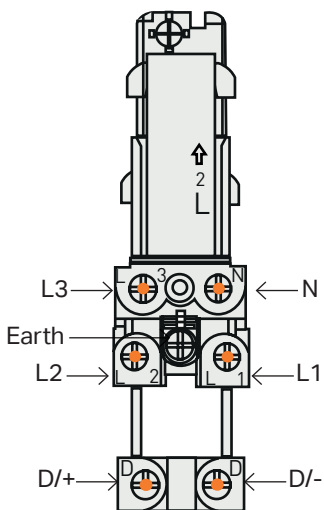


ORLTL-ACC-ELPE-DALI

ORLTL-ACC-ERPE-DALI

ORLTL-ACC-ELPE

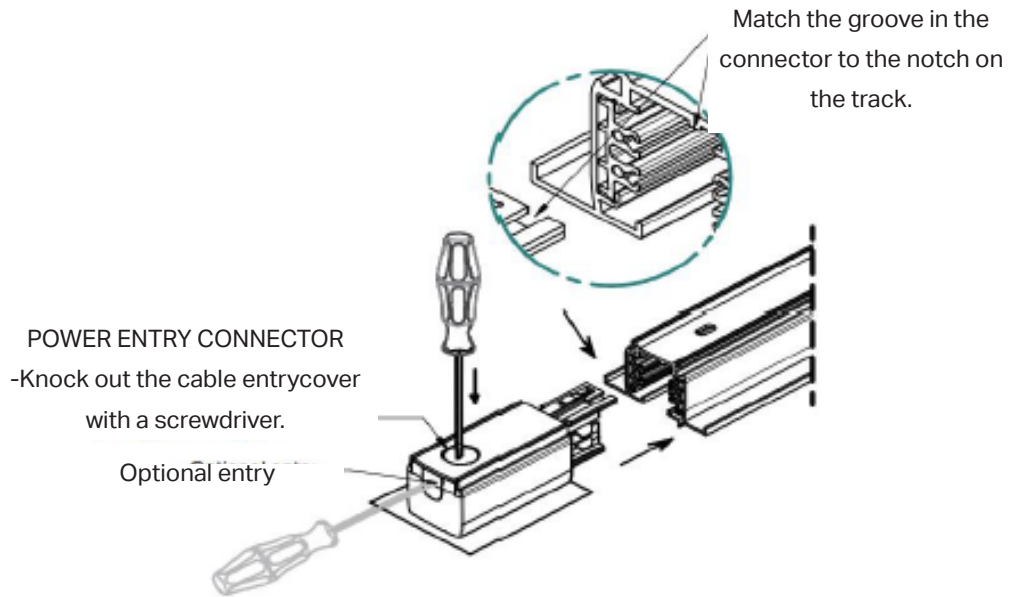
ORLTL-ACC-ERPE



L1, L2, L3 – Live
N - Neutral
⊥ -Earth
D1, D2 - Dali

L1, L2, L3 – Live
N - Neutral
⊥ -Earth

Instructions



Remember, only feed at one point on a system.
Never leave an open end, always use an end cap to cover it.

